



T1 / T2 / T3 / T4

UJ WASCO
SALES AND MARKETING

T1 / T2 / T3 / T4

Performance Specifications (all values at 22°C unless noted otherwise)

Output Type	0.5 to 4.5 Volts	4 - 20 mA	1 - 5 / 1-10 Volts
Accuracy ¹	< 0.50% FS	< 0.50% FS	< 0.50% FS
Zero & Span Error	< 0.50% FS	< 0.50% FS	< 0.50% FS
Thermal Error (-40°C to 85°C)	< 0.50% FS	< 0.50% FS	< 0.50% FS
Total Error ⁴	< 2.0% FS	< 2.0% FS	< 2.0% FS
Stability (Typical)	< 0.25% FS / Year	< 0.25% FS / Year	< 0.25% FS / Year
Zero Pressure Offset ²	0.50 V	4.0 mA	1.0 V
Full Scale Output (Output @ Pressure Range)	4.5 V	20 mA	5.0 V / 10.0 V
Operating Temperature	-40 to 105°C	-40 to 105°C	-40 to 105°C
Storage Temperature	-40 to 105°C	-40 to 105°C	-40 to 105°C
Proof Pressure	3 X FS	3 X FS	3 X FS

Electrical Specifications

Output Type	0.5 to 4.5 Volts	4 - 20 mA	1 - 5 Volts / 1 - 10 Volts
Supply Voltage	5 +/- 0.5	8 to 30 Volts	8 to 30 Volts
Supply Current	< 6 mA	Not Applicable	< 3 mA
Output Current	0.45 mA Max (Sink or Source)	Not Applicable	0.45 mA Max (Sink or Source)
Response Time	< 1 ms	< 1 ms	< 1 ms

Reliability and Environmental Performance

	Test Conditions	Value	Units
Pressure/Temperature Cycles ³	0 to FS @ 8HZ and -40°C to 85°C	>1.8x10 ⁶	Cycles
Thermal Shock	85°C to -40°C, 0.5 hr soaks at Temp. (2s Transfer)	250	Cycles
Vibration	10 to 2050 Hz, 20 Sinusoidal, 3 Axes	144	Hours
EMC Compatability ⁵	Per EN61000-4-3		
Humidity	85°C and 90% to 95% R.H.	250	Hours
Weight	Model T1 with M12 x 1.5 6g 304L Stainless Port	≤85	Grams

¹Includes Hysteresis, repeatability, & non-linearity (BFSL)

⁴0 to 85°C

²Transducer output @ 0 Psig or 0 Psia

⁵Higher levels of EMC Compatibility are available upon request.

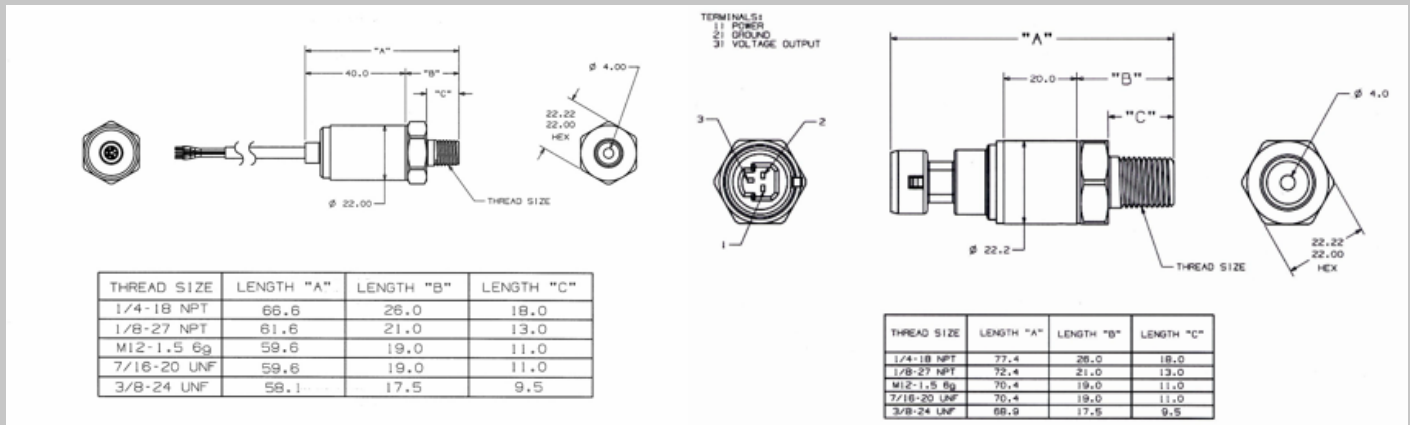
³Pressure cycling performed at rated full scale pressure.

WASCO

SALES AND MARKETING

T1 / T2 / T3 / T4

Standard Packaging Options



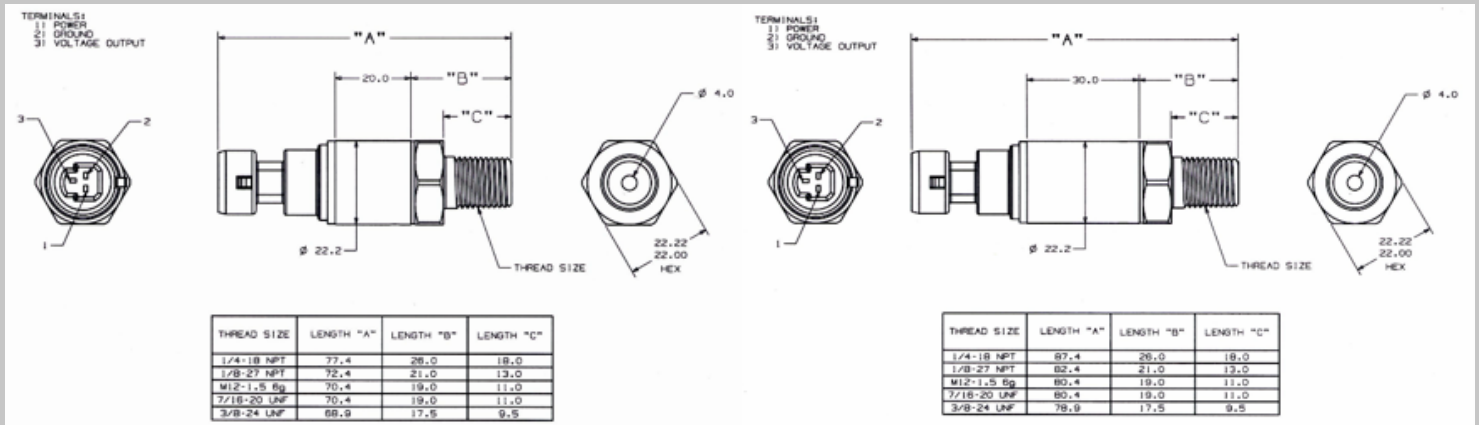
Integral Harness with 22mm Hex

Packard Connector with 22mm Hex

5 VDC Input: 0.5 - 4.5 VDC Ratiometric Output

Harness Construction: PVC Jacketed 24 AWG Wire

Mating Packard Connector P/N 12065287 and Mating Packard Terminal P/N 12103881



Packard Connector with 22mm Hex

8 - 30 VDC Input: 1 - 5 VDC Output

Packard Connector with 22mm Hex

8 - 30 VDC Input: 0 - 20 mA Output

Mating Packard Connector P/N 12065287 and Mating Packard Terminal P/N 12103881

T1 / T2 / T3 / T4

This chart illustrates the part number matrix of Wasco pressure transducers
(Choose one of the following selections in each category)

Series	Pressure Range	Mechanical Fitting	Connector																																																		
T1	50A	A	W12																																																		
<div style="display: flex; justify-content: space-around; align-items: center;"> <div style="text-align: center;"> <p>↑</p> <p>Product Series</p> <table border="1"> <tr><td>T1</td><td>.5 - 4.5V Output</td></tr> <tr><td>T2</td><td>1 - 5V Output</td></tr> <tr><td>T3</td><td>4 - 20mA Output</td></tr> <tr><td>T4</td><td>1 - 10V Output</td></tr> </table> </div> <div style="text-align: center;"> <p>↑</p> <p>Pressure Range</p> <table border="1"> <tr><td>15</td><td>A, G, or S</td></tr> <tr><td>50</td><td>A, G, or S</td></tr> <tr><td>100</td><td>A, G, or S</td></tr> <tr><td>200</td><td>A, G, or S</td></tr> <tr><td>500</td><td>A or S</td></tr> <tr><td>1000</td><td>A or S</td></tr> <tr><td>3000</td><td>A or S</td></tr> </table> <p>S=Sealed Gauge</p> </div> <div style="text-align: center;"> <p>↑</p> <p>Process Connection</p> <table border="1"> <tr><td>B</td><td>1/8 - 27 NPT - 22 mm HEX</td></tr> <tr><td>C</td><td>1/4 - 18 NPT - 22 mm HEX</td></tr> <tr><td>F</td><td>7/16 - 20 UNF - 22 mm HEX</td></tr> <tr><td>J</td><td>1/8 - 27 NPT - 5/8" HEX</td></tr> <tr><td>K</td><td>1/4 - 18 NPT - 5/8" HEX</td></tr> <tr><td>S</td><td>7/16 - 20 - 2B Female - 5/8" HEX</td></tr> </table> </div> <div style="text-align: center;"> <p>↑</p> <p>Electrical Connection</p> <table border="1"> <tr><td>P</td><td>Packard</td></tr> <tr><td>W12</td><td>Shielded Wire, 12 inches</td></tr> <tr><td>W24</td><td>Shielded Wire, 24 inches</td></tr> <tr><td>W36</td><td>Shielded Wire, 36 inches</td></tr> <tr><td>W48</td><td>Shielded Wire, 48 inches</td></tr> <tr><td>W60</td><td>Shielded Wire, 60 inches</td></tr> <tr><td>W72</td><td>Shielded Wire, 72 inches</td></tr> <tr><td>C</td><td>Custom Length</td></tr> </table> </div> </div>				T1	.5 - 4.5V Output	T2	1 - 5V Output	T3	4 - 20mA Output	T4	1 - 10V Output	15	A, G, or S	50	A, G, or S	100	A, G, or S	200	A, G, or S	500	A or S	1000	A or S	3000	A or S	B	1/8 - 27 NPT - 22 mm HEX	C	1/4 - 18 NPT - 22 mm HEX	F	7/16 - 20 UNF - 22 mm HEX	J	1/8 - 27 NPT - 5/8" HEX	K	1/4 - 18 NPT - 5/8" HEX	S	7/16 - 20 - 2B Female - 5/8" HEX	P	Packard	W12	Shielded Wire, 12 inches	W24	Shielded Wire, 24 inches	W36	Shielded Wire, 36 inches	W48	Shielded Wire, 48 inches	W60	Shielded Wire, 60 inches	W72	Shielded Wire, 72 inches	C	Custom Length
T1	.5 - 4.5V Output																																																				
T2	1 - 5V Output																																																				
T3	4 - 20mA Output																																																				
T4	1 - 10V Output																																																				
15	A, G, or S																																																				
50	A, G, or S																																																				
100	A, G, or S																																																				
200	A, G, or S																																																				
500	A or S																																																				
1000	A or S																																																				
3000	A or S																																																				
B	1/8 - 27 NPT - 22 mm HEX																																																				
C	1/4 - 18 NPT - 22 mm HEX																																																				
F	7/16 - 20 UNF - 22 mm HEX																																																				
J	1/8 - 27 NPT - 5/8" HEX																																																				
K	1/4 - 18 NPT - 5/8" HEX																																																				
S	7/16 - 20 - 2B Female - 5/8" HEX																																																				
P	Packard																																																				
W12	Shielded Wire, 12 inches																																																				
W24	Shielded Wire, 24 inches																																																				
W36	Shielded Wire, 36 inches																																																				
W48	Shielded Wire, 48 inches																																																				
W60	Shielded Wire, 60 inches																																																				
W72	Shielded Wire, 72 inches																																																				
C	Custom Length																																																				