

# WASCO

SWITCHES & SENSORS

## V110 VACUUM SWITCH SERIES

Industry leading customers have depended upon the reliability and performance of the V110 Series since 1987. This series features stainless steel construction. The V110 Series incorporates Wasco's proprietary manufacturing method which we have perfected over the last three decades.

This series is a rugged vacuum switch that is perfect for industrial systems that require cost-effective reliability.



## V110 SERIES HIGHLIGHTS

We've designed three V110 series for high performance and dependability. All V110 Series switches are leak tested to  $\leq 1 \times 10^{-3}$  std cc/min Air.

## TYPICAL APPLICATIONS

- Gas Systems
- Air Filtration
- HVAC-R
- Sterilizers
- Aerospace
- Food Processing
- Transportation Equipment

## V110 SERIES PERFORMANCE CHART

Sensor	Max. System Pressure*	Set Point Range*	Set Point Tolerance	Typical Reset Band
3	30	1.5 - 29.5	$\pm 1.5$	1.0 - 3.0

All measurements = inHg  
\* Other ranges available

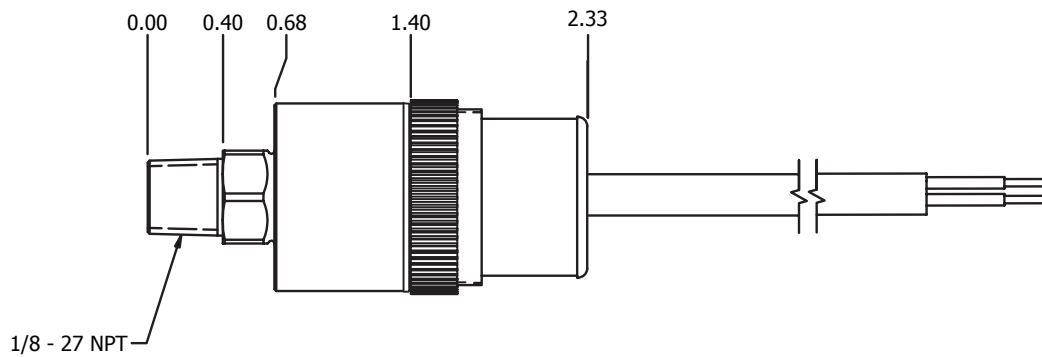
## MATERIAL SPECS

	<b>Wetted Components</b>
<b>Fitting</b>	300 Series SS
<b>Sensor</b>	17-7PH or 316 SS
<b>O-Ring</b>	Buna, Viton, or EPR

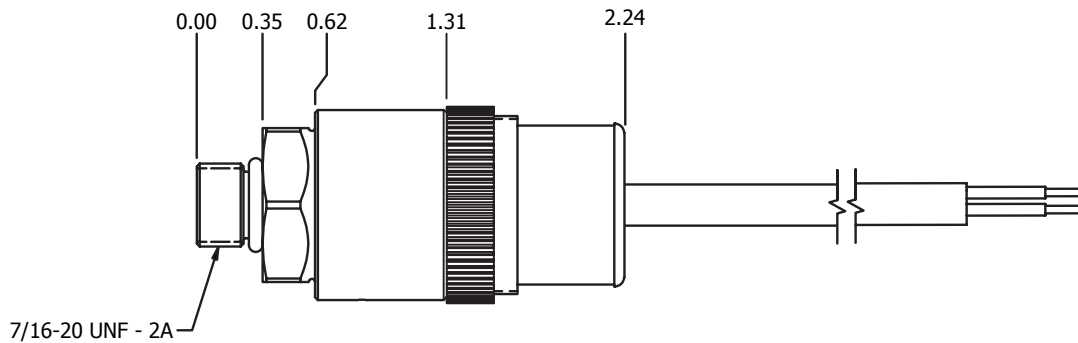
## TECHNICAL SPECS

<b>Life Cycle</b>	≥1,000,000 cycles
<b>Ingress Protection</b>	IP65
<b>Leak Rate</b>	100% Tested to $\leq 1 \times 10^{-3}$ std cc/min
<b>Operating Temp</b>	-65° to 225°F -54° to 107°C

## V110 DIMENSIONS



Typical V110 with 1/8-27 NPT and jacketed wire leads (other configurations available)



Typical V110 with 7/16-20 UNF and jacketed wire leads (other configurations available)

We understand how difficult the specifying process is, but we believe it shouldn't be so confusing. Wasco has specified over 6000 unique pressure sensors for thousands of customers since 1963.

**Find your solution today by filling out our [worksheet](#).**

\*Information contained in this document is for reference only. Actual product specifications will be provided on an engineering drawing.  
Released August, 2023



SCAN ME